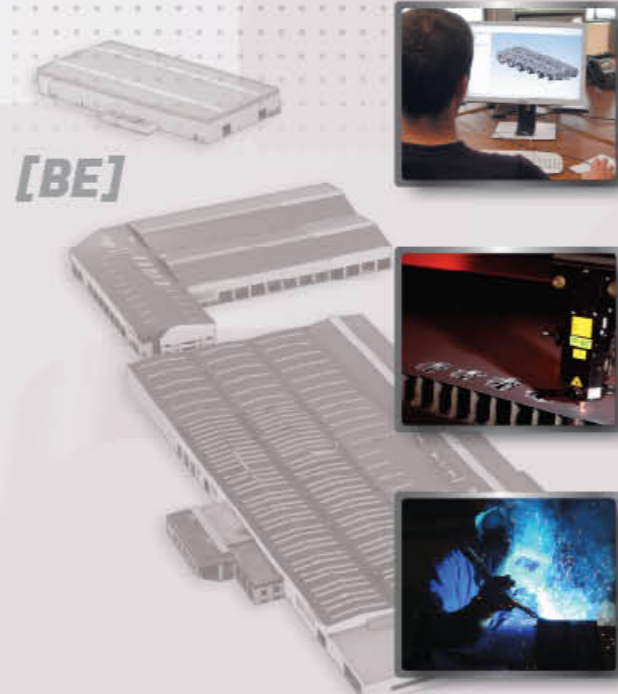


SPECIAL TRAILERS

20 → + 1,000 to

-  **MULTIMAX**
-  **EUROMAX**
-  **MEGAMAX**
-  **GIGAMAX**
-  **VARIOMAX**
-  **MODULMAX**
-  **TELEMAX**
-  **CARGOMAX**
-  **PREFAMAX**
-  **FLOATMAX**
-  **TIMBERMAX**
-  **FLEXMAX**

DEVELOPMENT & MANUFACTURING



[BE]

INNOVATION & QUALITY



[LU]



[PL]

100% FAYMONVILLE

FAYMONVILLE DISTRIBUTION AG

Duarrefstrooss 19 | L-9990 WEISWAMPACH

T +352 26 90 04 155 | F +352 26 90 04 425 | sales@faymonville.com

www.faymonville.com

02.2011



MODULMAX



FAYMONVILLE DISTRIBUTION AG

Duarrefstrooss 19 | L-9990 WEISWAMPACH

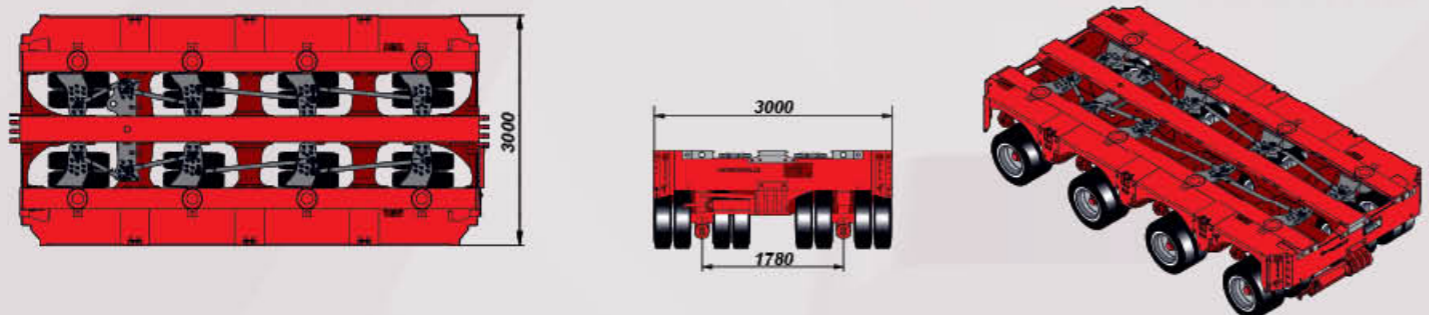
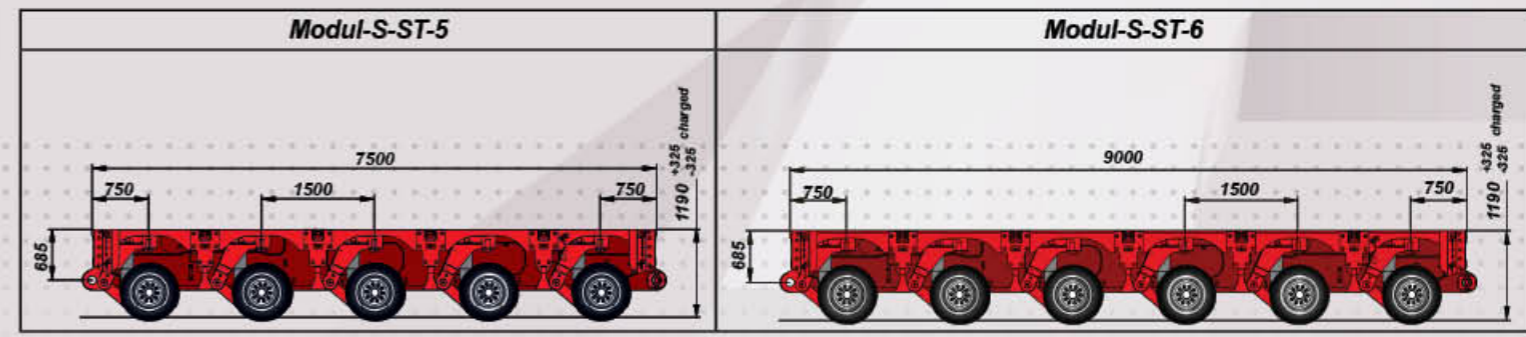
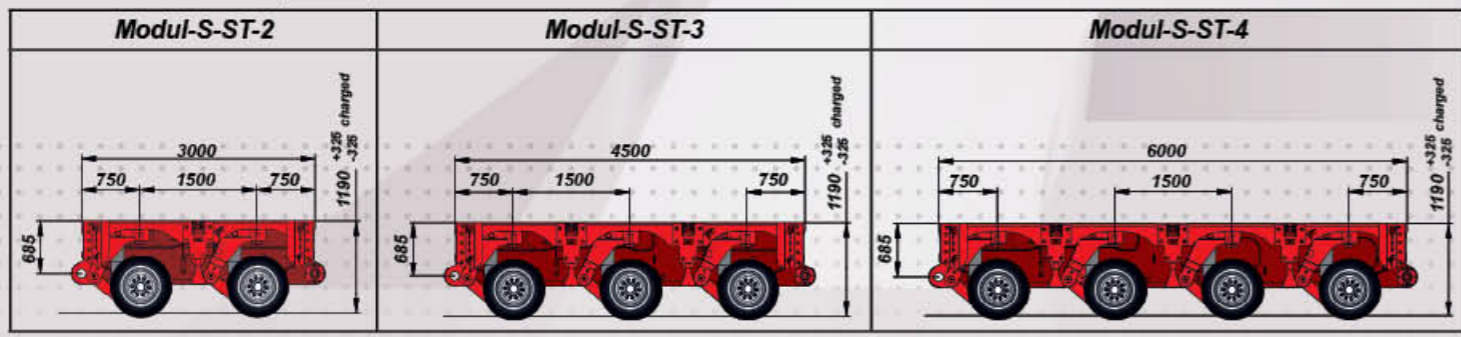
T +352 26 90 04 155 | F +352 26 90 04 425 | sales@faymonville.com

FAYMONVILLE
TRAILERS TO THE **MAX**



www.faymonville.com

02.2011



Technical description:

Max. techn. axle load per axle (1 km/h):	36,000 kg	Temperature range:	-20°C / +60°C
Hydraulic pressure at 36,000 kg axle load:	262 bar	Steering angle:	+ / - 60°
Width:	3,000 mm	Steering:	hydro-mechanical 2 circuit design
Height (laden with 16,000 kg axle load):	1,190 mm +/- 325 mm	Axles:	SAF-Axles with drum brakes
Diameter of hydraulic bolt coupling:	120 mm	Brakes:	Wabco 2 line air pressure brake system
Axle distance:	1,500 mm	Frame:	steel construction of high tensile steel
Track width:	1,780 mm		
Tyres:	215/75 R17.5		
Brand of tyres:	according to the choice of the manufacturer		
Number of tyres per axle:	8		

Corrosion protection:

- HRM treatment (HighResistanceMetallisation) of the complete steel construction.
- The frame is shot-blasted with steel grains and metallized with ZINACOR 850 (Zinc /alu alloy (85%/15%))

Finishing:

- 6-K Finishing
- 2 layer of epoxy primer, 1 layer of washprimer
- Finishing with 2 layers of 2 components acrylic laquer, colour according to RAL-colour chart
- After that special wax treatment of bodycavities.
- Wheels silvergrey.

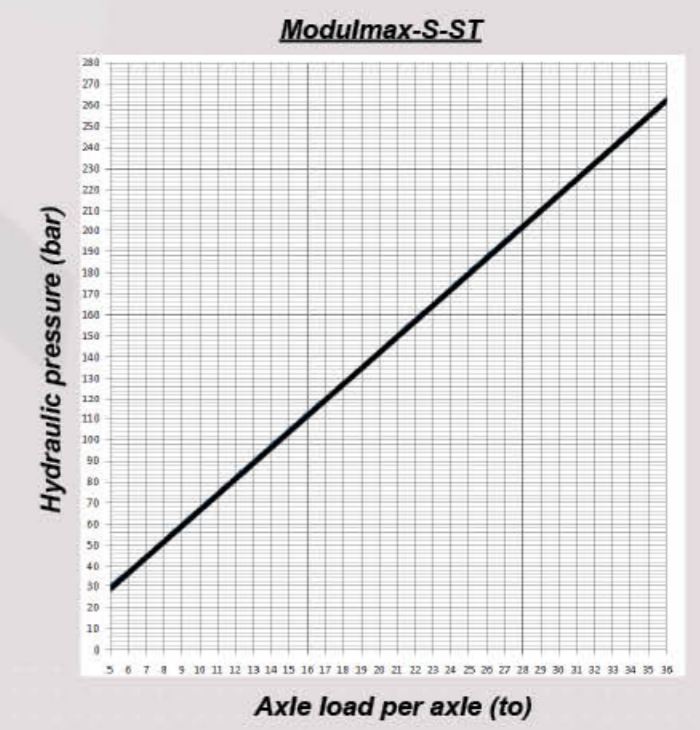
	Modul-S-ST-2	Modul-S-ST-3	Modul-S-ST-4	Modul-S-ST-5	Modul-S-ST-6
Steering type	standard steering			standard steering/counter steering	
Number of axles	2	3	4	5	6
Length	3,000 mm	4,500 mm	6,000 mm	7,500 mm	9,000 mm
Max. techn. total weight (1 km/h)	72,000 kg	108,000 kg	144,000 kg	180,000 kg	216,000 kg
Tare	7,200 kg	10,200 kg	13,300 kg	16,600 kg	19,700 kg

Type	Max. axle load, techn. (kg)							
	80/62 StVZO	80 km/h	60 km/h	40 km/h	20 km/h	10 km/h	5 km/h	1 km/h
Modul-S-ST-2-6	12,000	16,000	18,000	20,000	25,800	28,000	34,000	36,000

Type	Max. payload, techn. (kg)							
	80/62 StVZO	80 km/h	60 km/h	40 km/h	20 km/h	10 km/h	5 km/h	1 km/h
Modul-S-ST-2	16,800	24,800	28,800	32,800	44,400	48,800	60,800	64,800
Modul-S-ST-3	25,800	37,800	43,800	49,800	67,200	73,800	91,800	97,800
Modul-S-ST-4	34,700	50,700	58,700	66,700	89,900	98,700	122,700	130,700
Modul-S-ST-5	43,400	63,400	73,400	83,400	122,400	123,400	153,400	163,400
Modul-S-ST-6	52,300	76,300	88,300	100,300	135,100	148,300	184,300	196,300

→ ADVANTAGES

- + Interchangeability
- + 8 tyres 215/75R 17.5" per axle line
 - Steering angle: 60°
 - Suspension clearance: 650 mm
 - 36 to/axle line (at 1 km/h)
- + Different loading platforms
- + Development and manufacturing 100% Faymonville
- + Short delivery times
- + Metallized chassis



Subject to technical alterations within the technical advancement